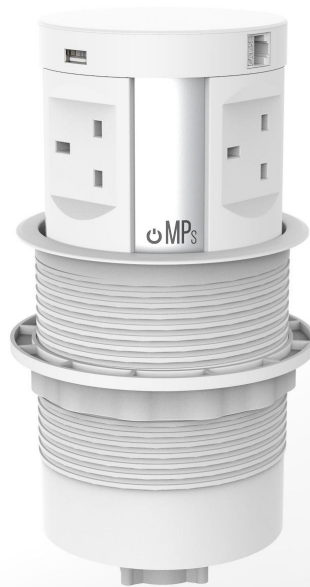


V14W-UK

Technical Specifications



Product Description

The **V14 range** is a unique self-raising power outlet system featuring four power outlets, two USB outlets, two RJ45 data outlets and a Qi wireless charging top.

Features

- ✓ Qi Wireless Charging Top
- ✓ 1.8m Cable with **UK Fitted Plug**
- ✓ 4x UK Power Sockets, 2x USB, 2x RJ45
- ✓ 120mm Hole Size



Technical Specifications

Model: V14W-UK

Country: United Kingdom

Colour: Matt White, Silver Shell, White Outlets

Materials: PVC, ABS & Aluminium

Warranty: 24 months

Installation Hole Diameter: 120mm

Space Below Surface: 180mm from top

Electrical

Cable Length: 1.8m (Single Power, Two Cat6)

Cable Type: 3*1.5mm² (UK & AU Model) & 2x Cat6

Plug:

Degree of Protection: IP20

Rated Voltage: 250v

Rated Current: 13a

Operating Temperature: 0 - 40 C, 32 - 104 F

Lifting Method: 100mm Gas Strut

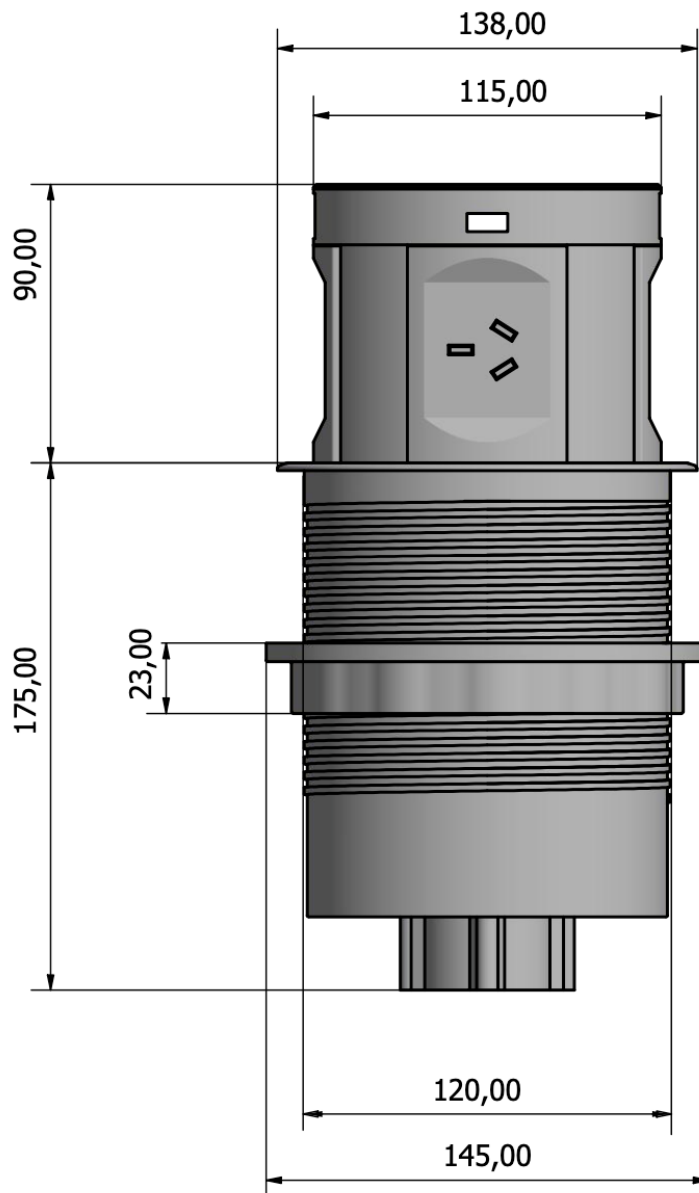
USB Charger: USB: 5V, 3.1A, 15.5W

Available Stock: Kenilworth, United Kingdom

Outlets: 4x UK Outlets, 2x USB Charging Outlets, 2x RJ45, Qi Wireless Charging Top

Other Options:	Model	Country	Features
	V14-UK	UK	Black Colour
	V14W	AU	Australian Region, White Colour
	V14	AU	Australian Region, Black Colour
	V14W-HNR	AU	Australian Region, White Colour, HDMI Outlet
	V14-HNR	AU	Australian Region, Black Colour, HDMI Outlet

Support mail: contact@modernpowersolutions.co.uk web: modernpowersolutions.co.uk





Frequently Asked Questions

FAQs

Q. Is this model spring-loaded? Does it automatically come up?

A. Yes, this model uses a gas strut to open automatically. Simply push down on the top of the unit, and it will raise up, ready to use.

Q. What happens if I have an issue with my product after the warranty period?

A. We've designed and tested these units for use over many years withstanding in a normal environment. If your product does develop an issue outside of the warranty period, we do provide an affordable repair or replacement service.

Q. Do you provide an after sales-service, and how do I contact you?

A. Yes, we provide an after-sales service. You can contact us via phone – through our 'request a call back' feature, where you give us your name and phone number, and we ring you back as soon as possible.

Q. Do I need a licensed electrician to install this product?

A. No, no electrical work is needed to install this product. We have designed the unit with a standard UK-fitted plug, allowing you to plug the unit into any other power socket – below your installation surface.

Q. What is the process in making a warranty claim if I have an issue with my product?

A. If your product malfunctions within the warranty period, we will repair or replace it free of charge. We keep digital records matched with product serial numbers for every order, so you do not need to worry about keeping your receipt.

About Modern Power Solutions

Modern Power Solutions is the leading manufacturer for retractable, pop up power sockets designed for the home and office. Founded in 2006, Modern Power Solutions aims to improve the convenience of power access through product innovation, customer research and a culture of microfocus.

Disclaimer

Modern Power Solutions has made every attempt to ensure the accuracy and reliability of the information provided in this document are correct. All information contained in this document is to be used for general guidance only. Modern Power Solutions reserves the right to change, delete or modify the information without notice.