

V3CW-UK

Technical Specifications



Product Description

The **V3CW-UK** model is an automatic motorised-lift power point with UK power sockets and USB-A charging sockets. It is designed for the home, kitchen and office. The built-in electric motor allows the unit to raise and lower automatically by pressing the button on the lid.

Features

- ✓ 2x UK Sockets, 2x USB 10W
- ✓ 1.8m Cable with Fitted UK Plug



- ✓ Touch the top button to raise and lower the unit
- ✓ Anti-pinch function: the unit will automatically stop if there is an obstruction to opening or closing the unit
- ✓ Plug & Play - no electrical work required for installation

Technical Specifications

Model: V3CW-UK
Country: United Kingdom
Colour: Black Top, Silver Shell, White Outlets
Materials: PVC, ABS & Aluminium
Warranty: 24 months
Installation Hole Diameter: 90mm - 100mm
Space Below Surface: 560mm from top
Lifting Method: Motorised Lift - Single Touch Top
Available Stock: Kenilworth, United Kingdom
Outlets: 2x UK Power Sockets, 2x USB-A
Individual Box Dimensions: 58.5 × 17.3 × 16.8 cm
Individual Box Weight (Gross): 2kg

Electrical

Cable Length: 1.8m (Single Power)
Cable Type: IEC C13 / C14 [3*1.5mm²]
Plug: UK Plug
Degree of Protection: IP20
Rated Voltage: 230v ~50Hz
Rated Current: 13A, 3000w Total
Operating Temperature: 0 - 40 C, 32 - 104 F
USB Charger: (internal, built in)
Input : 100-240V ~ 50/60Hz ; 0.5A
Output: USB-A: 5V2A

Other Options:	Model	Country	Features
	V3C-UK	UK	Black Colour Outlets
	V3CW	AU	Australian Region, White Colour
	V3C	AU	Australian Region

Installation

Step 1: Bench-top hole: drill a hole in your bench-top, with the diameter according to the product specifications.

Step 2: Unscrew the locking ring around the body of the unit, and remove it altogether.

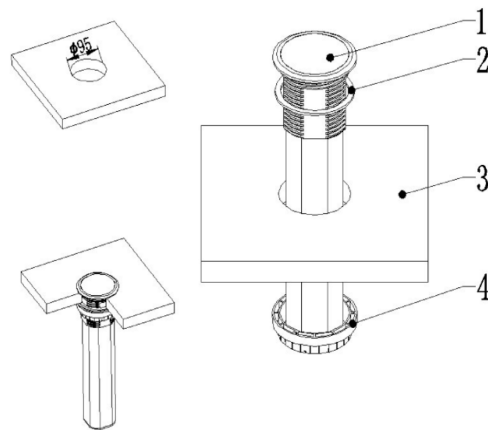
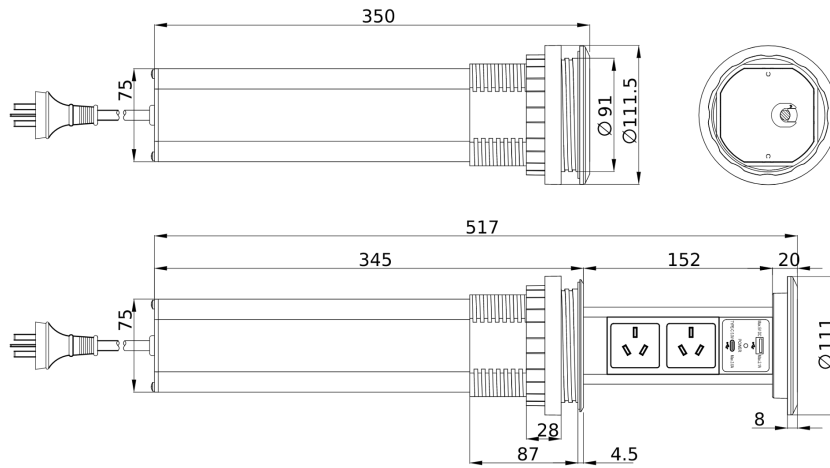
Step 3: Place the unit inside the hole in your bench-top.

Step 4: Screw back the locking ring around the body of the unit - from the under-side of the bench-top, and tighten it securely.

Step 5: Connect the unit to power by plugging it into a power outlet under the bench-top.

Support

mail: contact@modernpowersolutions.co.uk web: modernpowersolutions.co.uk



(1) Product body (2) Silicone pad (3) Worktop (4) Locking Ring

Q. Is this model spring-loaded? Does it automatically come up?

A. Yes, this model is motorised. The built-in electric motor allows the unit to raise and lower automatically by pressing the button on the lid.

Q. What happens if I have an issue with my product after the warranty period?

A. We've designed and tested these units for use over many years withstanding in a normal environment. If your product does develop an issue outside of the warranty period, we do provide an affordable repair or replacement service.

Q. Do you provide an after sales-service, and how do I contact you?

A. Yes, we provide an after-sales service. You can contact us via phone – through our 'request a call back' feature, where you give us your name and phone number, and we ring you back as soon as possible.

Q. Do I need a licensed electrician to install this product?

A. No, no electrical work is needed to install this product. We have designed the unit with a standard UK-fitted plug, allowing you to plug the unit into any other power socket – below your installation surface.

Q. What is the process in making a warranty claim if I have an issue with my product?

A. If your product malfunctions within the warranty period, we will repair or replace it free of charge. We keep digital records matched with product serial numbers for every order, so you do not need to worry about keeping your receipt.

About Modern Power Solutions

Modern Power Solutions is the leading manufacturer for retractable, pop up power sockets designed for the home and office. Founded in 2006, Modern Power Solutions aims to improve the convenience of power access through product innovation, customer research and a culture of micro-focus.

Disclaimer

Modern Power Solutions has made every attempt to ensure the accuracy and reliability of the information provided in this document are correct. All information contained in this document is to be used for general guidance only. Modern Power Solutions reserves the right to change, delete or modify the information without notice.

© Modern Power Solutions (Last Updated 12th October 2021)